



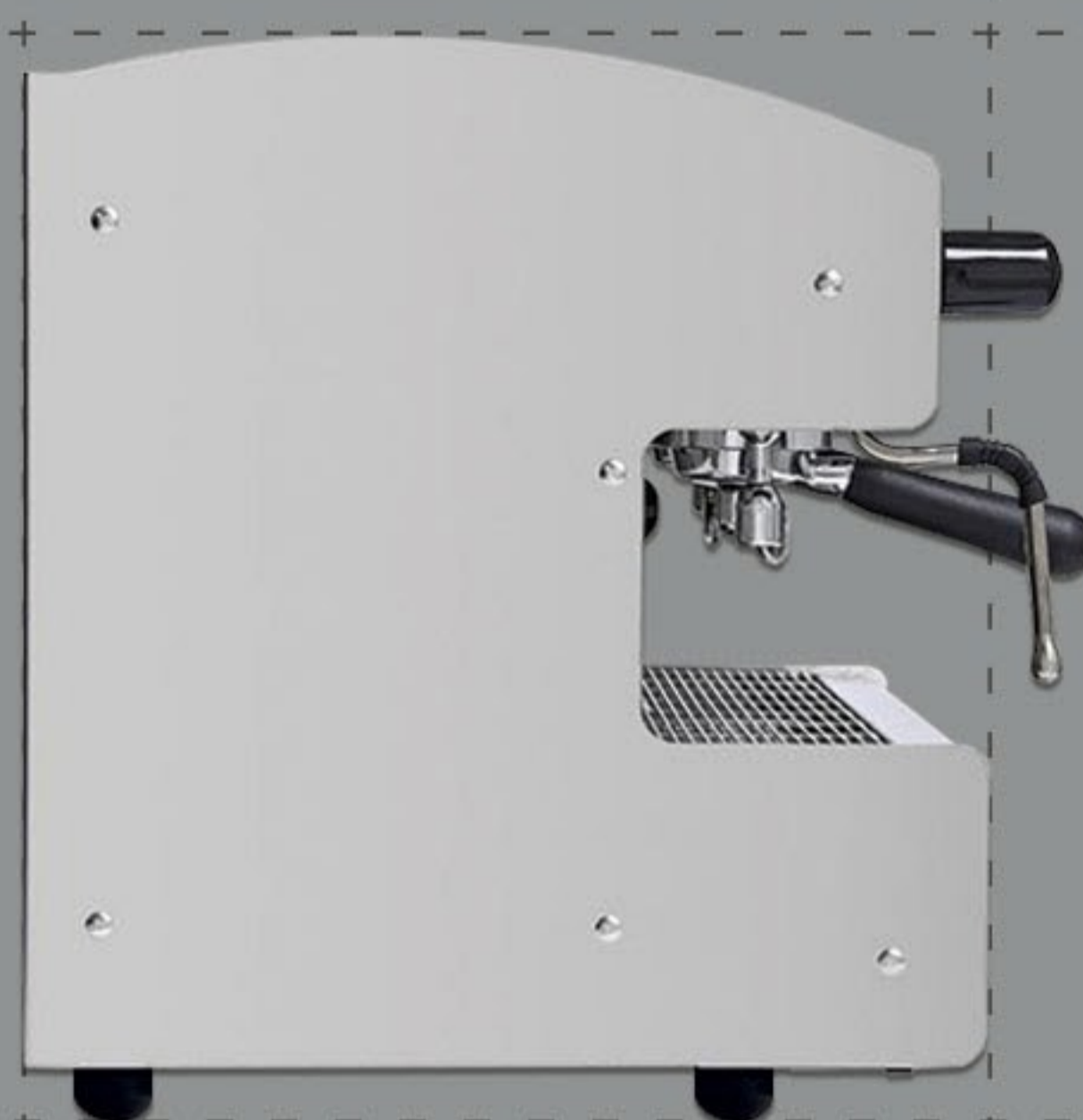
doppio

coffee warehouse
showroom | espresso bar | workshop

coffee machine information



41 cm



43 cm



55 cm

Brand: CIME

Model: CO-02 1 Group Plumbed / Manual filled

Features:

- Volumetric pump.
- Stainless steel steam wand.
- Stainless steel hot water wand.
- Radiated circulation.
- To be used with pods, capsules and ground coffee.
- The machine is endowed with a pump stopping system due to water lack and an orange signal light switches on at the same time.
- Boiler: 3 lt.
- Power: 1,800W.
- Dimensions: W41, D43, H55.

Price: £ 1,350 + VAT



FROM COFFEE BEANS TO COFFEE MACHINES



www.doppiocoffee.co.uk

177 Kentish Town Road, NW1 8PD - 020 7267 5993
90 Hanbury Street, E1 5JL - 020 7247 7838
336 Battersea Park Rd, SW11 3BY - 020 7924 3939

